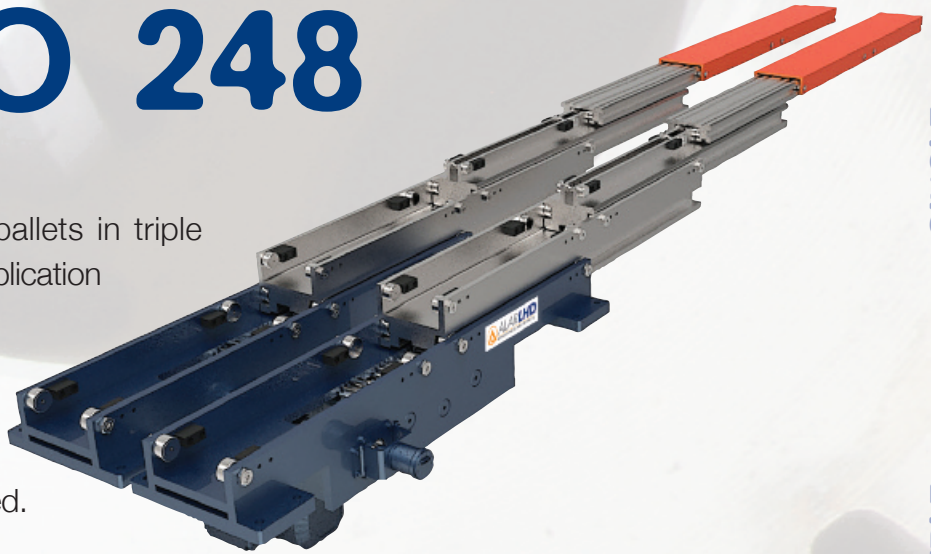




# CRONO 248

Designed for the handling of pallets in triple depth, the CRONO 248 finds application where a normal double depth telescopic fork would be beyond the stroke limit, or where an even smaller bending, other parameters being equal, is needed.



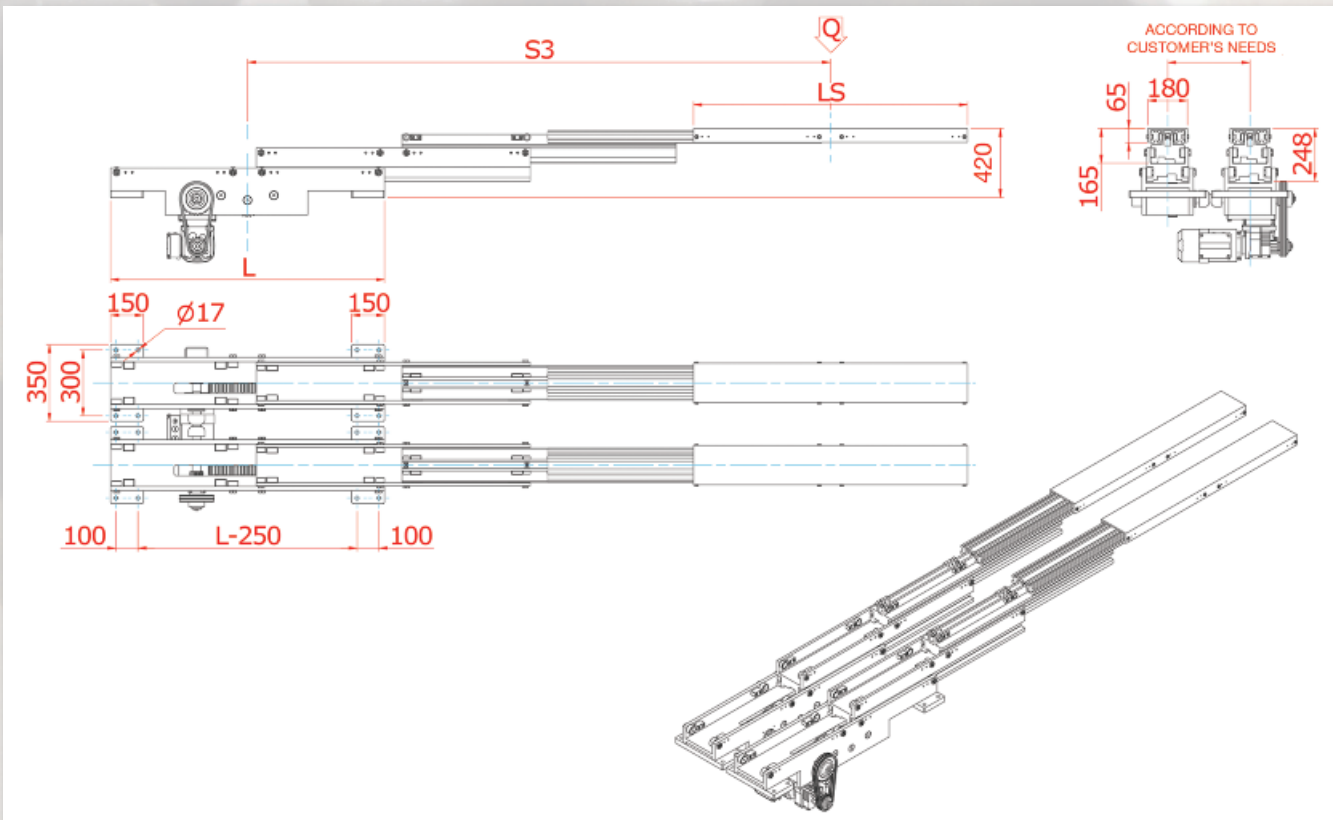
SINGLE DEPTH

DOUBLE DEPTH

PRODUCT CODE	Q LOAD (KG)	L FIXED BODY LENGTH (MM)	LS UPPER SLIDE LENGTH (MM)	S3 STROKE (MM)	MAX BENDING UNDER LOAD (MM)
CR248-130	1200	1300	1300	3000	32
CR248-135		1350	1350	3100	34
CR248-140	1000	1400	1400	3200	32
CR248-145		1450	1450	3300	35
CR248-150	800	1500	1500	3500	36
CR248-160		1600	1600	3700	40

With an overall thickness of 248 mm, this equipment represents the solution to borderline cases in the sector of the linear handling.

TRIPLE DEPTH



COMBINED PRODUCTS

SPECIAL PRODUCTS